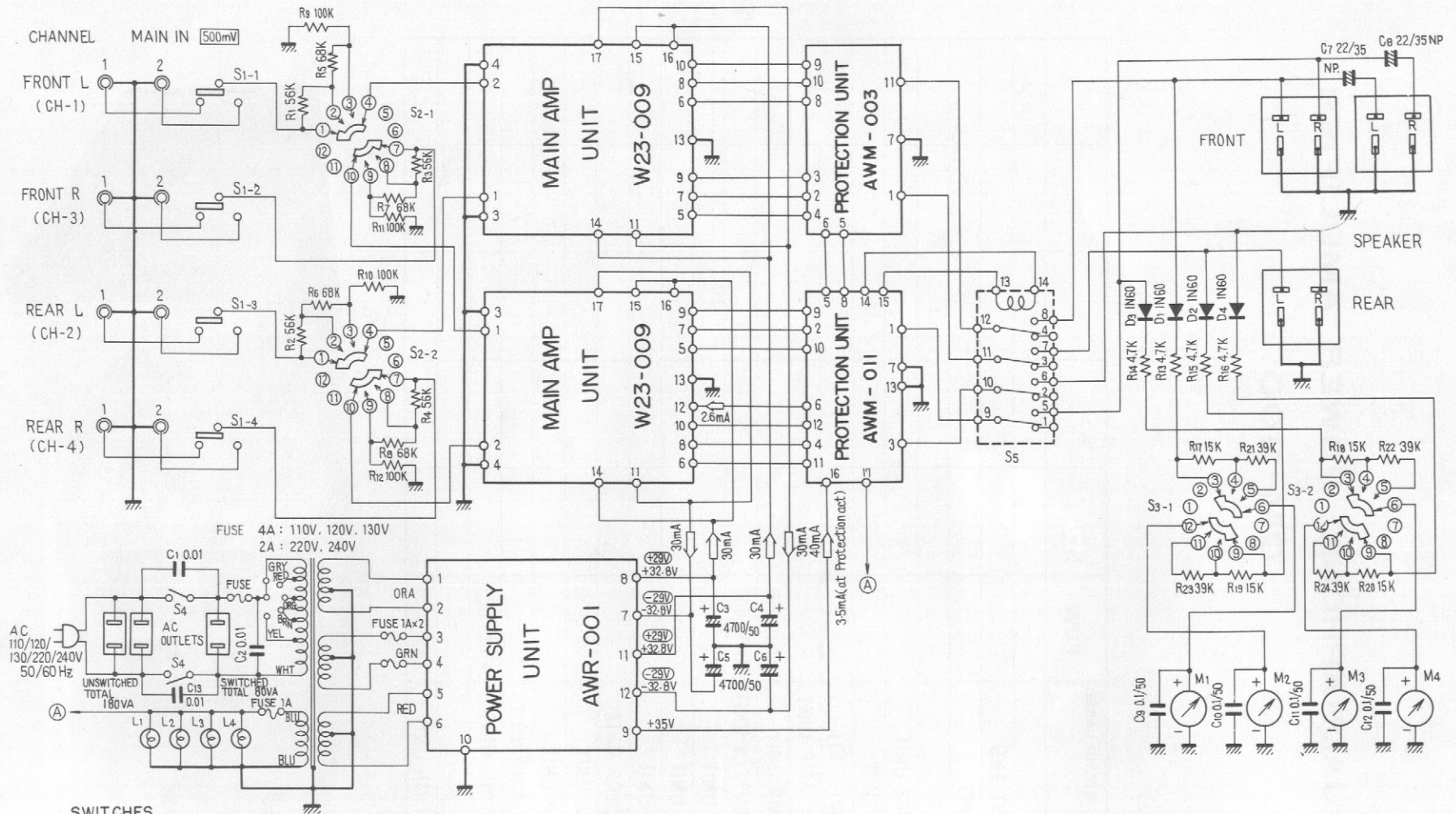


QUADRAPHONIC POWER AMPLIFIER

QM-800

UNIT	ROUND LABEL	FWW					
FM FRONT END							
FM IF UNIT							
MPX UNIT							
AM TUNER UNIT							
MUTING UNIT							
HEAD AMP UNIT							
CONTROL AMP UNIT							
MAIN AMP UNIT		W23-009					
POWER SUPPLY UNIT		AWR-001					
SWITCH UNIT							
SWITCH UNIT							
SWITCH UNIT							
TONE COLOR UNIT							
CONTROL UNIT							
MIC AMP UNIT							
REVERBE AMP UNIT							
PROTECTION UNIT		AWM-003					
PROTECTION UNIT		AWM-011					





SWITCHES

- | | | | | | |
|----|----------------|----------|-------------|-------------|-------------|
| S1 | INPUT SELECTOR | 1. 2. | S3 | METER LEVEL | (1) - 20 dB |
| S2 | INPUT LEVEL | (1) 0.5V | (2) - 10 dB | (3) 0 dB | |
| | | (2) 1.0V | S4 | POWER SW. | |
| | | (3) 2.0V | S5 | RELAY | |

RESISTORS

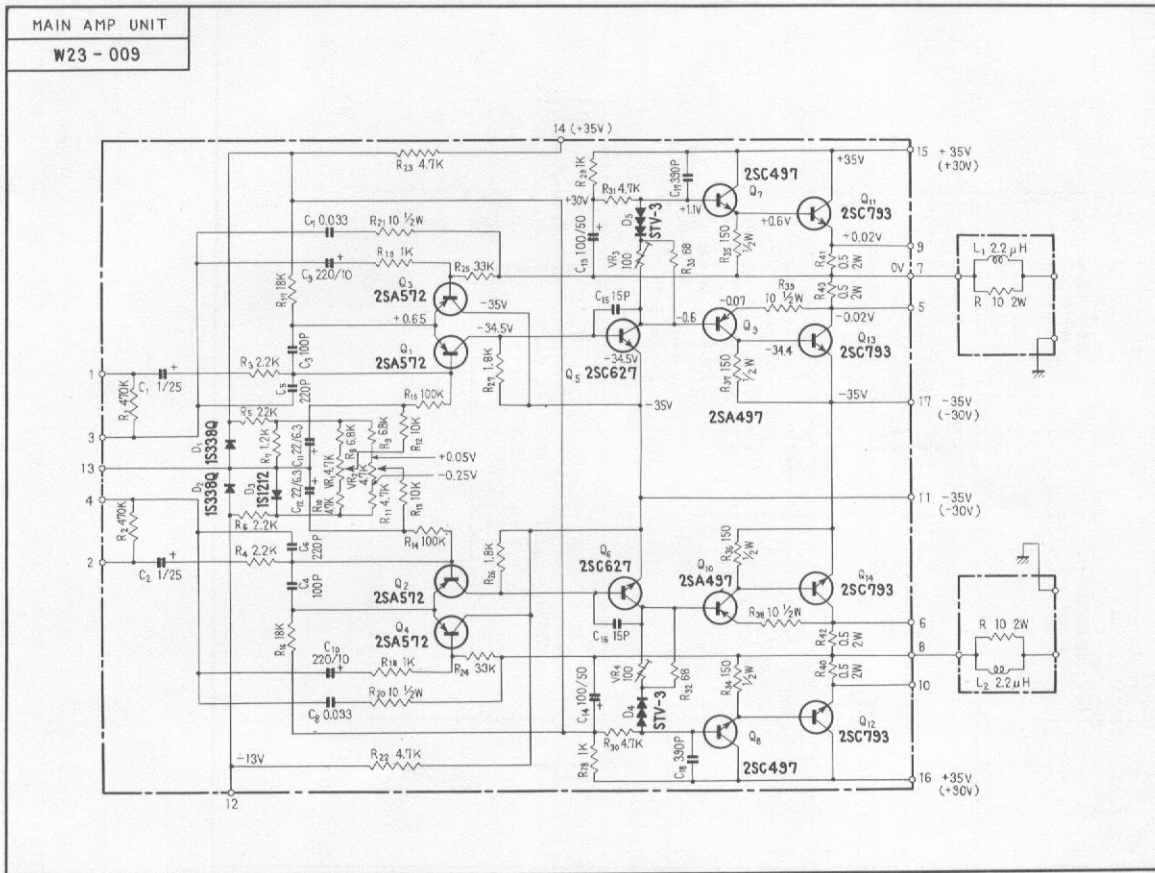
- NON MARK : OHM
 K : KILOHM
 M : MEGOHM

CAPACITORS

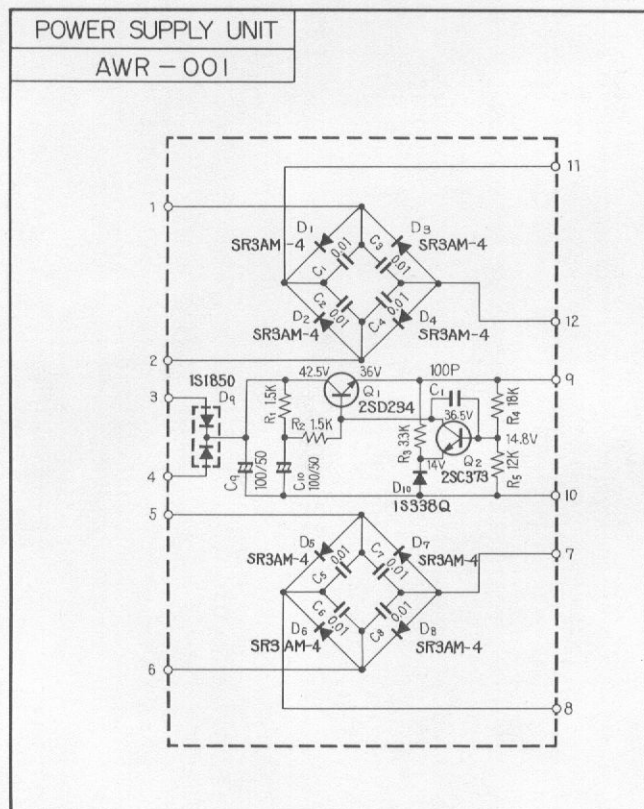
- NON MARK : μ F
 P : μ μ F

- : SIGNAL VOLTAGE AT 35W/8 Ω OUTPUT
 : DC VOLTAGE AT NO INPUT SIGNAL
 : DC CURRENT AT NO INPUT SIGNAL
 : DC VOLTAGE AT MAX INPUT SIGNAL

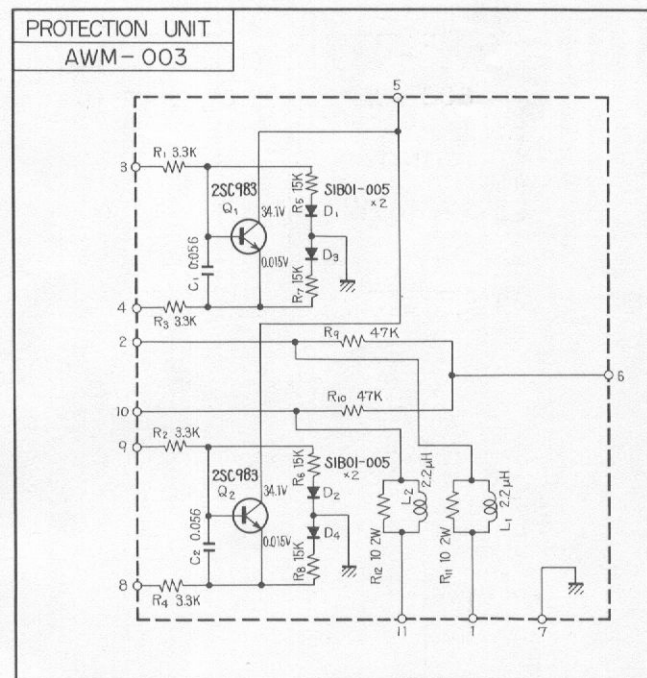
MAIN AMP UNIT



POWER SUPPLY UNIT



PROTECTION UNIT



PROTECTION UNIT

PROTECTION UNIT

AWM-011

